



Storage and handling of dangerous substances

► Solving leaks in industrial or chemical warehouses,
production halls, workshops, etc.

PRODUCTS

- Collapsible Spill Bunds
- Folding Funnels
- Floor Barriers
- Self-supporting Tanks
- Drip Trays
- Sorbent Dispenser Carts
- Emergency Containers
- Drain Covers



Solving the leakage of dangerous substances in industry, warehouses, etc.

CONTAINMENT OF LEAKING LIQUIDS

STOP THE SPREAD OF LEAKING LIQUIDS

LIQUID LEAK CLEAN-UP

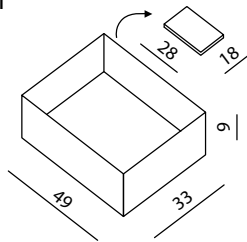


Spill Bunds

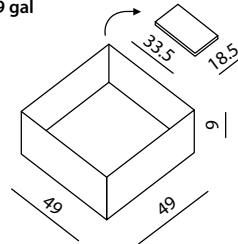
COLLAPSIBLE SPILL BUND CARGO

- ▶ Ideal for containing hazardous substances from drums, IBC containers, and barrels transported on pallets
- ▶ The special shape of the bund's design allows it to fit precisely around the pallet
- ▶ The folding corners of the bund enable it to unfold into a flat surface, making it easy to handle the pallet stored inside the bund
- ▶ The bund with containers on pallets can be placed on another pallet and easily moved, e.g. with a forklift – „sandwich“ folding system (pallet-bund-pallet)
- ▶ Chemically resistant material withstands petroleum products, alkaline substances, acids, and more
- ▶ Side handles for easy handling of the empty bund
- ▶ 2 size variants of the bund – CARGO (volume 56 gal) and DP (volume 79 gal)

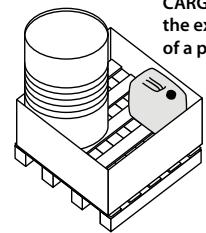
Volume of 56 gal



Volume of 79 gal



Spill bund CARGO copies the exact shape of a pallet



Catalogue

Detailed information

Web

GALLERY



The corners are not welded, allowing for easy assembly of the bund around a pallet

Easy handling thanks to the side handles



CONTAINMENT OF LEAKING LIQUIDS

STOP THE SPREAD OF LEAKING LIQUIDS

LIQUID LEAK CLEAN-UP



Spill Bunds

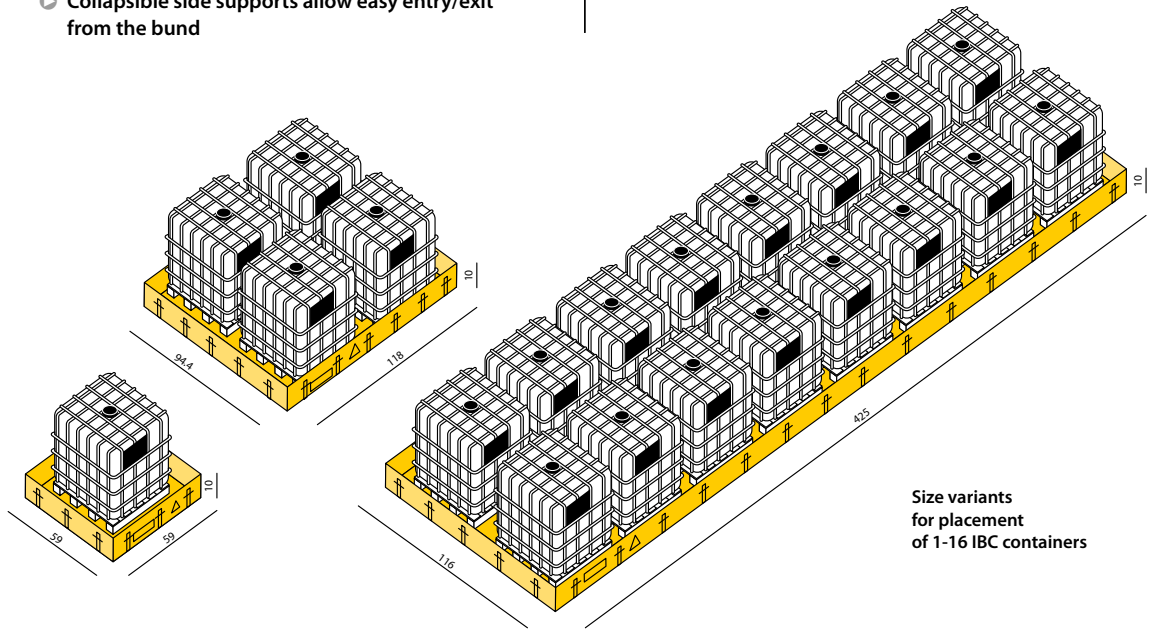
COLLAPSIBLE SPILL BUND UNIQUE

- ▶ Ideal for placement under racks storing hazardous materials in industrial or chemical storage facilities
- ▶ Also suitable for storing IBC containers, barrels, or canisters on pallets, etc.
- ▶ Two types of side supports – rigid and collapsible
- ▶ Collapsible side supports allow easy entry/exit from the bund
- ▶ Option to select material type and bund size based on customer requirements
- ▶ Available in sizes to hold up to 16 IBC containers
- ▶ Bund can be unfolded into a flat surface for convenient cleaning

Catalogue

Detailed information

Web



Size variants for placement of 1-16 IBC containers

GALLERY



Examples of use



Collapsible side support



CONTAINMENT OF LEAKING LIQUIDS

STOP THE SPREAD OF LEAKING LIQUIDS

LIQUID LEAK CLEAN-UP



Spill Bunds

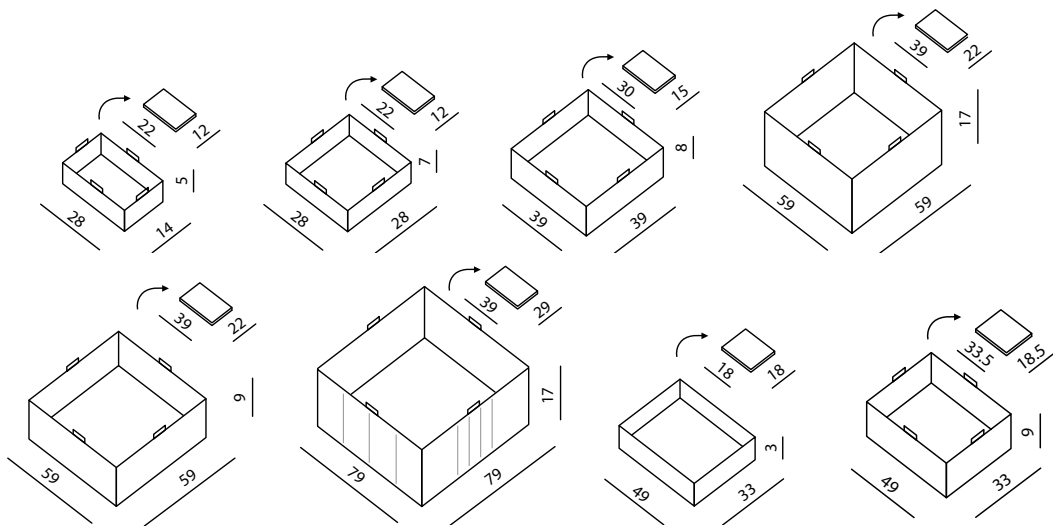
COLLAPSIBLE SPILL BUND ANTISTATIC

- ▶ The containment bund is made of a special antistatic PES/PVC material with high conductivity (electrical resistance is less than $10^9 \Omega$)
- ▶ Components made of non-sparking materials
- ▶ Ideal for containment of hazardous substances in environments with higher explosion hazard
- ▶ Shapeable design
- ▶ Easy handling thanks to integrated handles
- ▶ User-friendly lock mechanism with double seal closure

Catalogue

Detailed information

Web



GALLERY



Examples of use



CONTAINMENT OF LEAKING LIQUIDS

STOP THE SPREAD OF LEAKING LIQUIDS

LIQUID LEAK CLEAN-UP



Spill Bunds

COLLAPSIBLE SPILL BUND RAIL

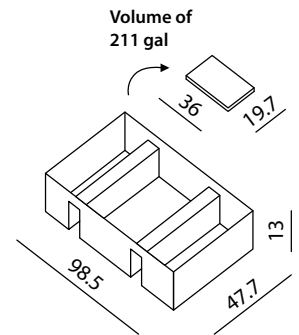
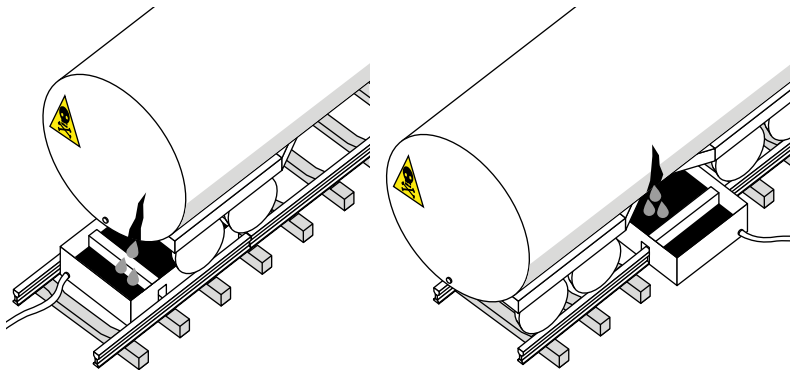
- ▶ Ideal for containing hazardous substance leaks on railway tracks – e.g. during railway accidents, at train stations, in railway depots, or during downtime of filled tanker cars
- ▶ Designed to accurately fit between the rail tracks
- ▶ Volume of 211 gallons
- ▶ Chemically resistant material
- ▶ Option to place the bund across the tracks or longitudinally in the inner space between the tracks
- ▶ Increased stability is provided by external side supports
- ▶ 3 brass drain holes GEKA PLUS 1 – 1 hole in each compartment of the bund

Catalogue

Detailed information

Web

Placement variants of RAIL bund in the track



GALLERY



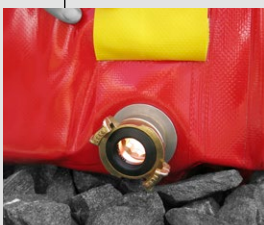
Example of use



Also suitable for use in the inner space between the tracks

Brass drain hole GEKA PLUS 1

Easy assembly



CONTAINMENT OF LEAKING LIQUIDS

STOP THE SPREAD OF LEAKING LIQUIDS

LIQUID LEAK CLEAN-UP

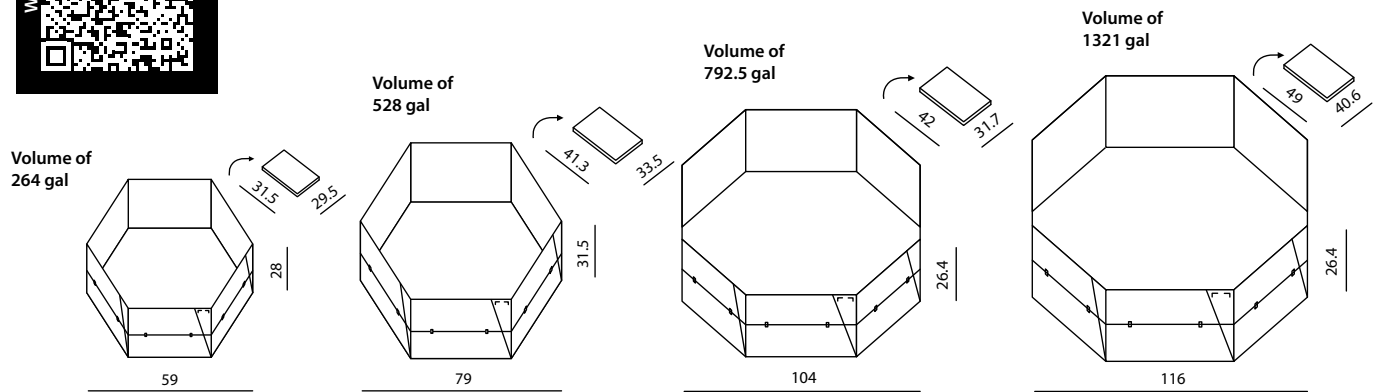


Self-supporting Tanks

Detailed information
 Catalogue
 Web

SELF-SUPPORTING TANK

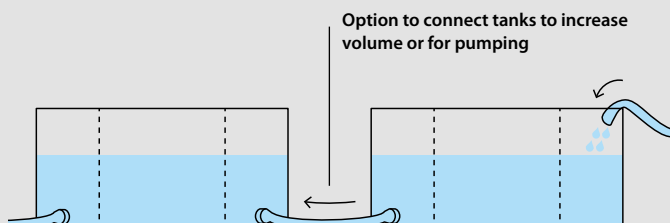
- ▶ Ideal as a collection containment tank for capturing large amounts of leaking hazardous liquids
- ▶ Also suitable for pumping leaking liquids during accidents or as a backup water source in hard-to-reach areas
- ▶ Welded side panels maintain the upright structure of the tank even when it is empty
- ▶ Side handles for easy manipulation
- ▶ Option to equip with one or more drain holes (when equipped with multiple drain holes opposite each other, the tank can serve as a flow-through system)
- ▶ Chemically resistant material (acids, oils, petroleum products, alkaline substances, etc.)
- ▶ Available in volumes from 264 to 1321 gallons



GALLERY



Examples of use



CONTAINMENT OF LEAKING LIQUIDS

STOP THE SPREAD OF LEAKING LIQUIDS

LIQUID LEAK CLEAN-UP



Emergency containers

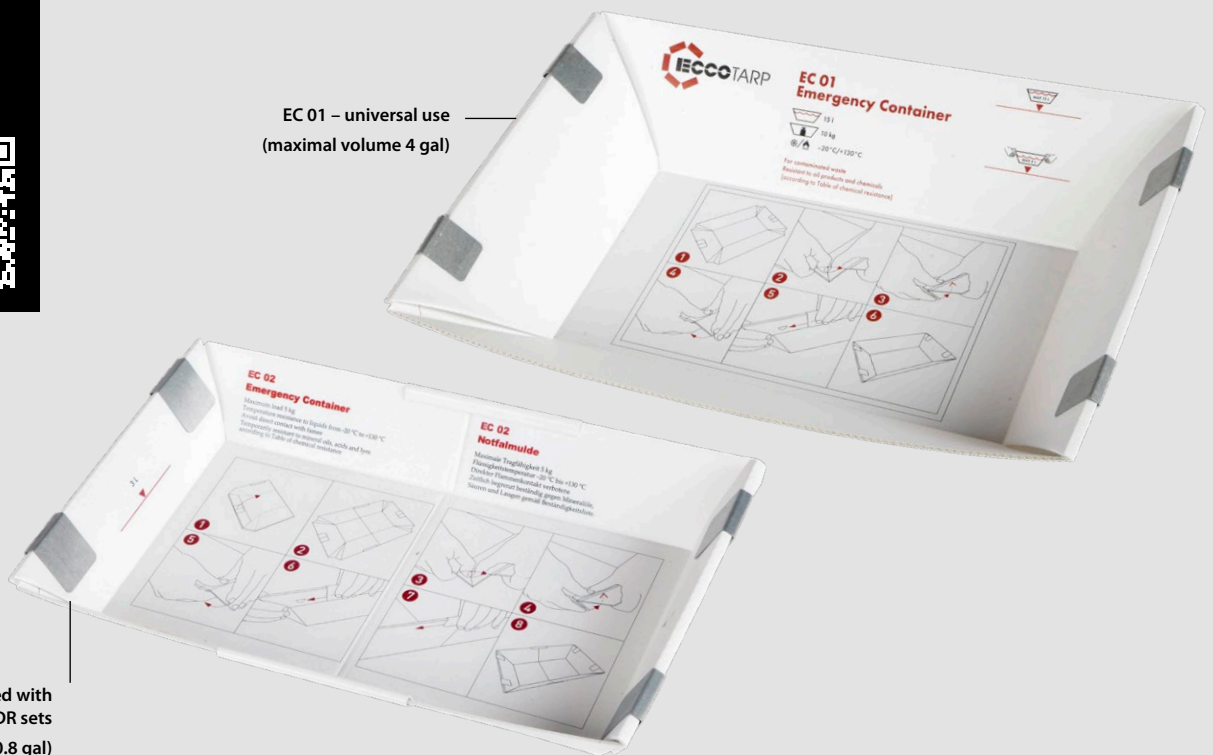
EMERGENCY CONTAINER EC

- ▶ Smaller foldable container made of a triple-layer polypropylene sheet
- ▶ Designed to capture liquid and solid contaminated or hazardous materials
- ▶ Material resists acids, alkalis, solvents, etc.
- ▶ Clever construction allows quick assembly without tools
- ▶ Design and low cost enable disposal of the container along with the waste

Detailed information

Catalogue

Web



EC 01 – universal use (maximal volume 4 gal)

EC 02 – constructed with regard to sizes of ADR sets (maximal volume 0.8 gal)

GALLERY



EC 02 in unfolded shape

Examples of use

Its bent edges serve as handles during manipulation



CONTAINMENT OF LEAKING LIQUIDS

STOP THE SPREAD OF LEAKING LIQUIDS

LIQUID LEAK CLEAN-UP



Emergency containers

Catalogue

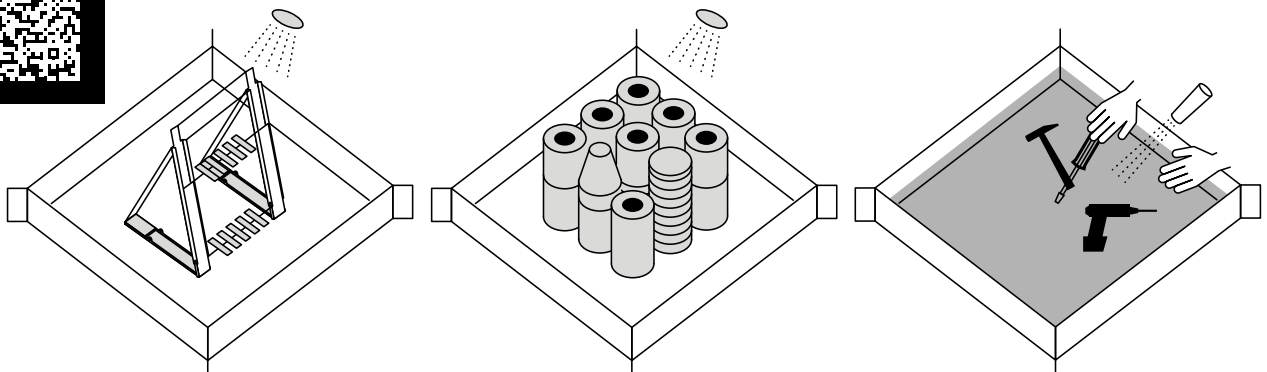
Detailed information

Web

COLLAPSIBLE FLEXIBLE UTILITY TRAY FASTER

- Simple spill tray for extremely fast containment of hazardous substances, e.g. in warehouses or workshops
- Rolling construction saves space during storage and speeds up deployment
- Also ideal for cleaning or decontaminating tools, equipment, maintenance tasks, and for storing canisters or other containers with hazardous substances
- Can be used as a substitute for a drain cover to protect drains from hazardous substances
- 2 types of construction – solid or segmented reinforcements
- Chemically resistant material
- Corner eyelets for hanging
- Available in multiple size variants – volume from 5 to 77 gallons

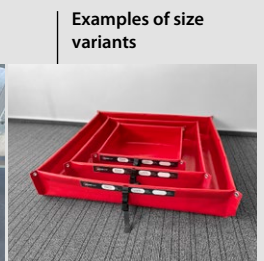
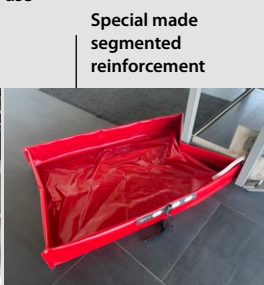
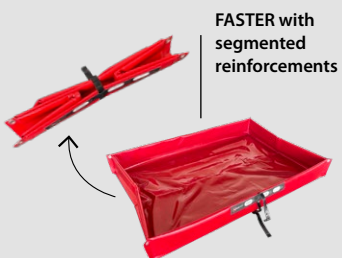
Use e.g. for washing, cleaning or decontamination of tools, instruments, spare parts, etc.



GALLERY



Examples of use



CONTAINMENT OF LEAKING LIQUIDS

STOP THE SPREAD OF LEAKING LIQUIDS

LIQUID LEAK CLEAN-UP



Folding Funnels

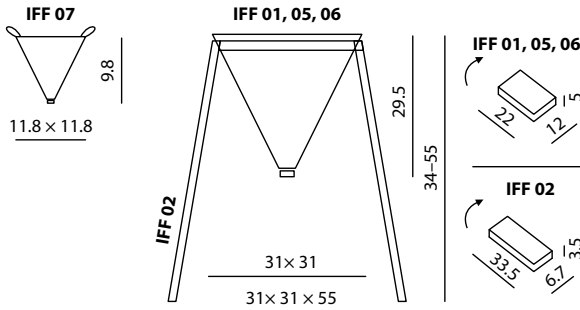
INDUSTRIAL FOLDING FUNNEL IFF

- ▶ Ideal for use in hard-to-reach areas, heights (e.g. broken pipes), etc.
- ▶ 4 handles at the corners for hanging and easy handling
- ▶ The funnel can be used separately or hung on a special stand
- ▶ Folding design saves space when storing
- ▶ Chemically resistant material
- ▶ 2 size variants – volume of 3 and 37 gallons

Catalogue

Detailed information

Web



GALLERY



CONTAINMENT OF LEAKING LIQUIDS

STOP THE SPREAD OF LEAKING LIQUIDS

LIQUID LEAK CLEAN-UP



Drip Trays

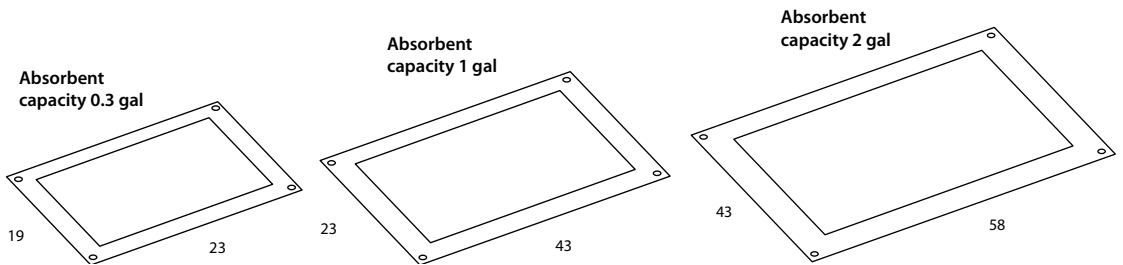
FOLDING DRIP COLLECTION TRAY WITH EXCHANGEABLE ABSORBENT LINING

- For catching small drips, such as from contaminated tools, spare parts, equipment, or containers with hazardous liquids
- Ideal for use in workshops, production facilities, chemical laboratories, etc.
- Eyelets in the corners for hanging up, e.g. under broken pipes, hydraulic lines, machines, or vehicles, etc.
- The largest dimension of the drip tray corresponds to the surface area of a pallet
- The protective grid captures larger trash and protects items placed on it from being covered in fibers from the absorbent insert
- Replaceable absorbent linings depending on the type of liquid being captured

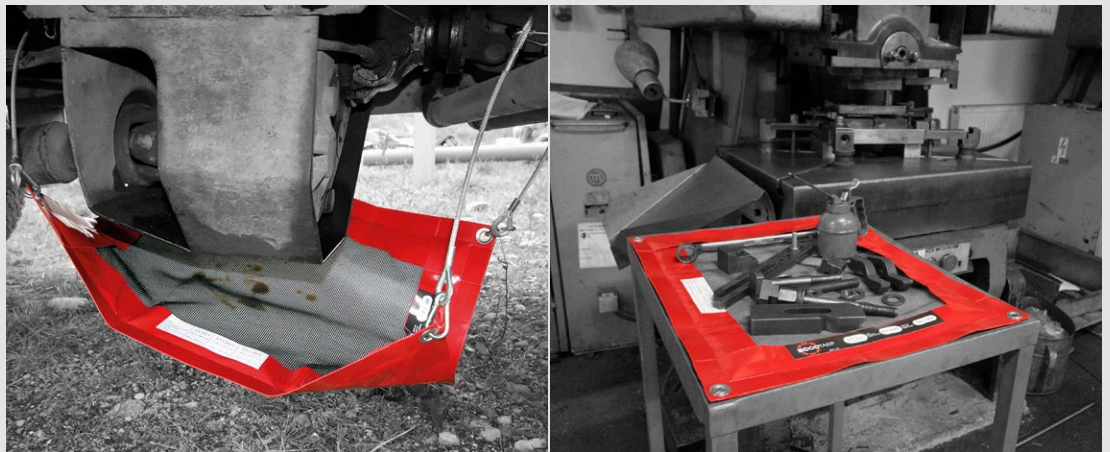
Catalogue

Detailed information

Web



GALLERY



Examples of use

Protective grid to capture large trash and protect placed items from being covered in fibers from the absorbent insert

CONTAINMENT OF LEAKING LIQUIDS

STOP THE SPREAD OF LEAKING LIQUIDS

LIQUID LEAK CLEAN-UP



Drain Covers

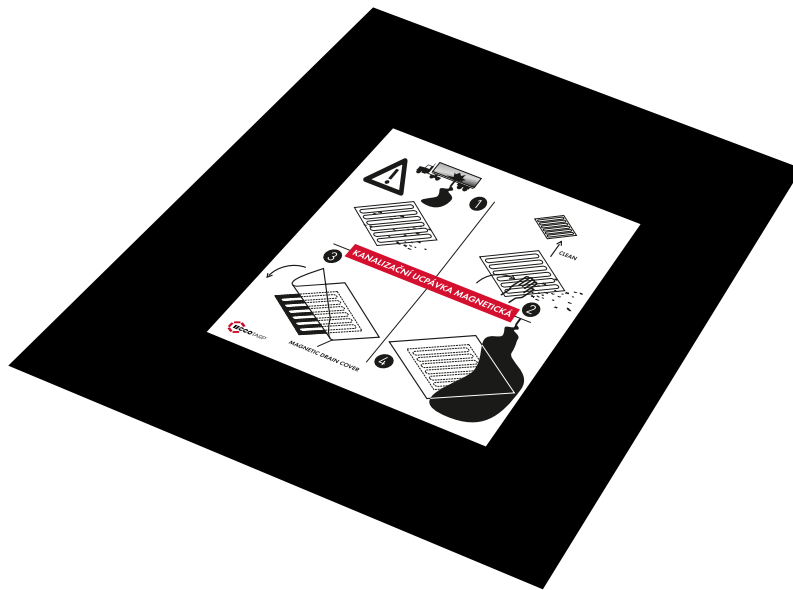
MAGNETIC DRAIN COVER MDC

- ▶ Effective protection of drains against the entry of leaked dangerous liquids
- ▶ Suitable for any steel or cast-iron drains
- ▶ Flexible, lightweight, and compact
- ▶ Made of isotropic magnetic foil with a thickness of 0.02 in
- ▶ Resistant to petroleum products, diluted acids, alkalis, etc.
- ▶ Available in 3 standard size variants
- ▶ Reusable

Catalogue

Detailed information

Web



GALLERY



Examples of use

Holding rack



Example of standby mode



CONTAINMENT OF LEAKING LIQUIDS

STOP THE SPREAD OF LEAKING LIQUIDS

LIQUID LEAK CLEAN-UP



Drain Covers

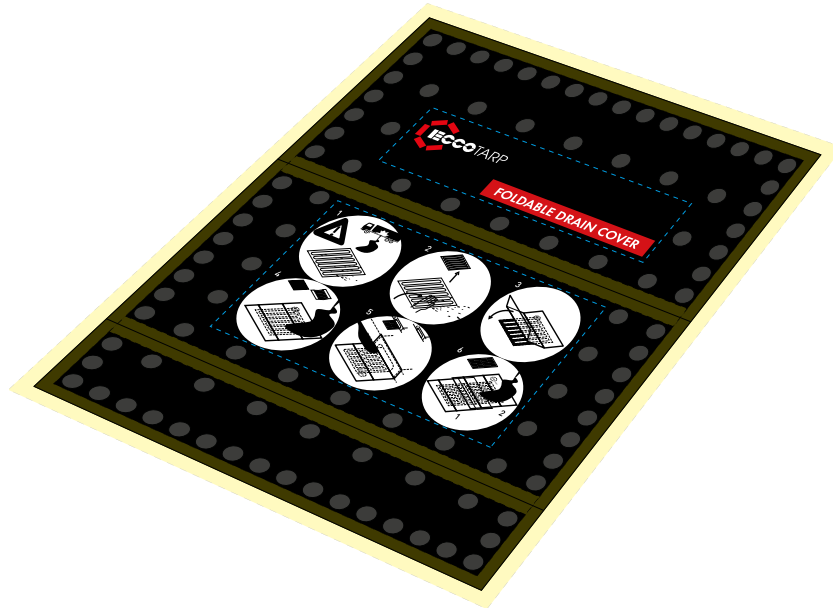
FOLDABLE DRAIN COVER FDC

- ▶ Effective protection for all steel and horizontal plastic sewer grates
- ▶ Usable also for grates with side gate
- ▶ Lightweight, compact, and reusable
- ▶ The sealing efficiency increases due to hydrostatic pressure
- ▶ Chemically resistant material

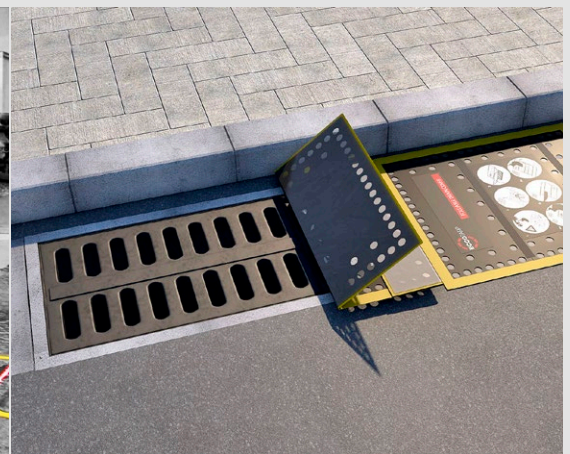
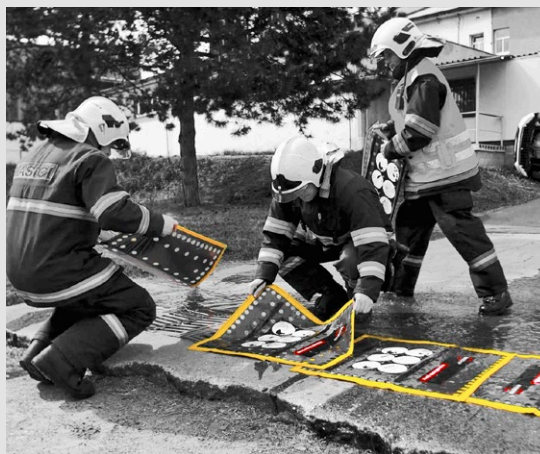
Catalogue

Detailed information

Web

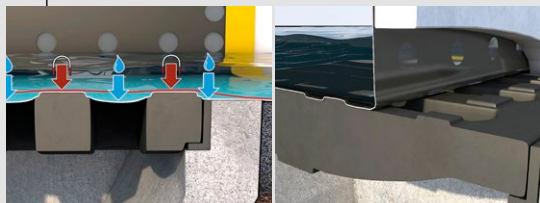


GALLERY



Examples of use

Detail of the hydrostatic pressure function



CONTAINMENT OF LEAKING LIQUIDS

STOP THE SPREAD OF LEAKING LIQUIDS

LIQUID LEAK CLEAN-UP



Floor Barriers

FLOOR ET BARRIER

- Reliably prevents the spread of spilled liquids on the floor
- Unlimited range and shape using corners and connecting parts
- The barrier is made of chemically resistant rubber, which is fixed to the floor with stainless steel anchoring plates
- Easy installation
- 100% impermeability when properly installed
- High durability – can be repeatedly driven over by a forklift or pallet truck
- Suitable for both indoor and outdoor use
- Chemically resistant silicone sealant to ensure perfect impermeability

Detailed information



Catalogue

Web



GALLERY



Example of use

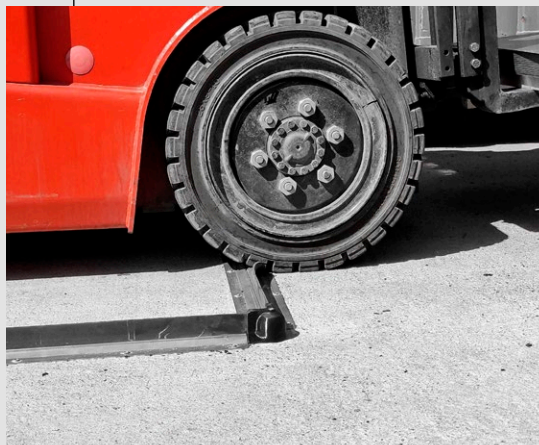


100% impermeability ensured by the silicone sealant used

Folding construction for creating any size and shape



The material is resistant to being driven over by vehicles



CONTAINMENT OF LEAKING LIQUIDS

STOP THE SPREAD OF LEAKING LIQUIDS

LIQUID LEAK CLEAN-UP



Sorbent Dispenser Carts

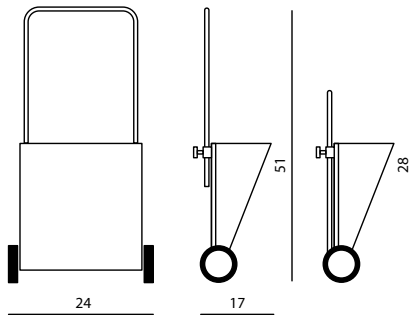
METAL SORBENT DISPENSER CART SDC 05

- ▶ For immediate application of absorbent
- ▶ Ideal for even application over large areas without unnecessary waste of absorbent
- ▶ Can be stored in a ready-to-use position at a suitable location, such as in a factory hall or warehouse, at a gas station, at an airport, in workshops, car repair shops, etc.
- ▶ For all commonly used types of absorbents
- ▶ Easily adjustable density and spread width
- ▶ The metal construction protects the absorbent in the hopper from moisture, ensuring the cart is always ready for immediate use without the degradation of the prepared spreading material
- ▶ Hopper capacity: 17 gal
- ▶ Weight of the cart without absorbent: 49 lbs

Detailed information

Catalogue

Web



GALLERY



Even distribution of absorbent

Examples of use

Manually adjustable parts

